



OKUMA

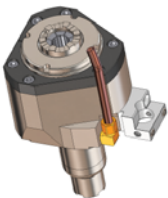
SPACE TURN EX SERIES

LB2000 EX - LB2500 EX - LB3000 EX - LB4000 EX

CAPTAIN SERIES

L370M - L370MW - L470M

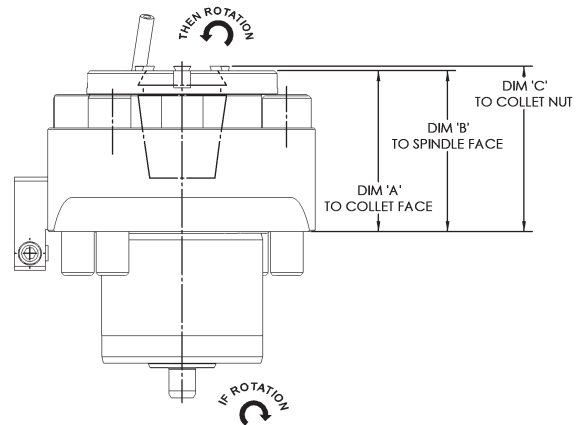
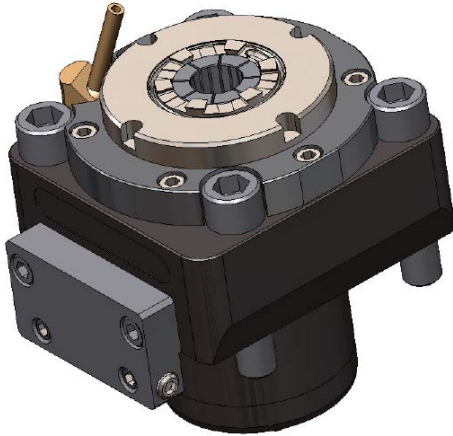
LIVE TOOLS



SPACE TURN EX SERIES

LB2000 EX - LB2500 EX - LB3000 EX - LB4000 EX

LIVE TOOLS



STRAIGHT (SIDE) LB2000 EX, LB2500 EX & LB3000 EX

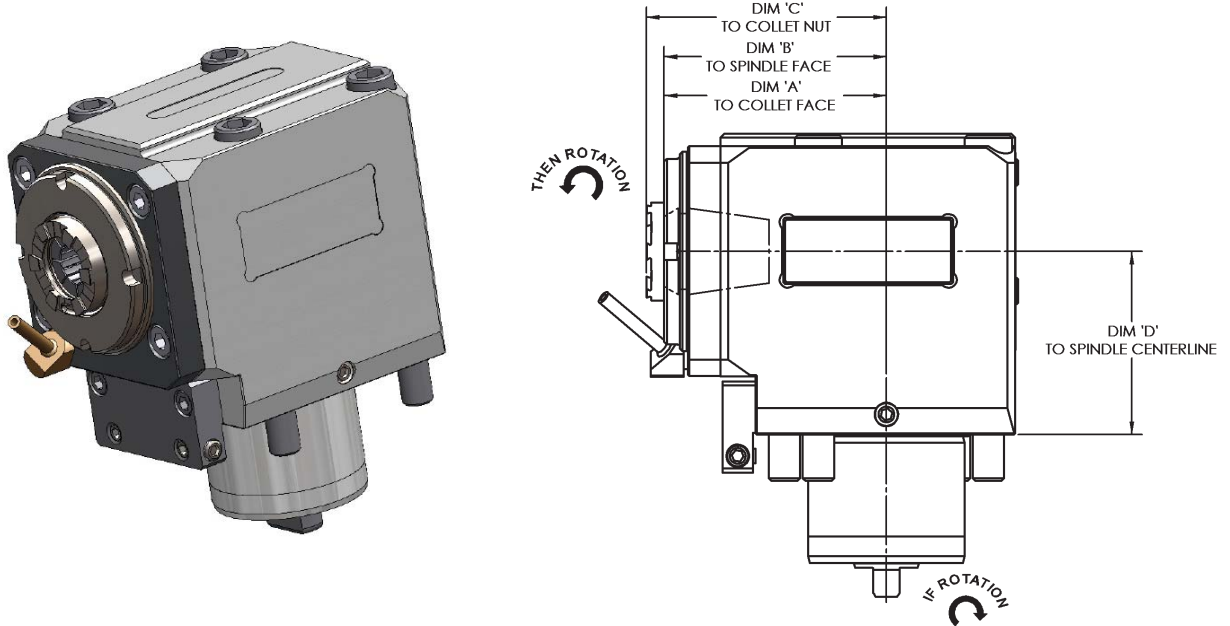
Item Number	Tool Axis	Ratio	Spindle	Internal Coolant	A (mm)	B (mm)	C (mm)	D (mm)	List Price
DT10611403311	SIDE	1:1	ER-32	----	60	60	62	---	\$2,000.00
DT10611403321	SIDE	1:1	ER-32	1500 PSI	85	85	92	---	\$3,500.00
DT10611403323	SIDE	1:1	ER-32	500 PSI	68	68	75	---	\$3,000.00

STRAIGHT (SIDE) LB4000 EX

Item Number	Tool Axis	Ratio	Spindle	Internal Coolant	A (mm)	B (mm)	C (mm)	D (mm)	List Price
DT10611503211	SIDE	1:1	ER-40	----	65	65	67	---	\$2,000.00
DT10611503221	SIDE	1:1	ER-40	1500 PSI	85	85	93	---	\$3,500.00
DT10611503223	SIDE	1:1	ER-40	500 PSI	68	68	76	---	\$3,000.00

SPACE TURN EX SERIES

LB2000 EX - LB2500 EX - LB3000 EX - LB4000 EX



LIVE TOOLS

RIGHT-ANGLE (FACE) LB2000 EX, LB2500 EX & LB3000 EX

Item Number	Tool Axis	Ratio	Spindle	Internal Coolant	A (mm)	B (mm)	C (mm)	D (mm)	List Price
DT10211403311	Face	1:1	ER-32	----	85	85	87	70	\$3,500.00
DT10211403321	Face	1:1	ER-32	1500 PSI	85	85	92	70	\$4,500.00
DT10221403311	Face	1:2	ER-32	----	85	85	87	70	\$5,000.00
DT10221403321	Face	1:2	ER-32	1500 PSI	85	85	92	70	\$6,000.00
DT10241403311	Face	2:1	ER-32	----	85	85	87	70	\$5,000.00
DT10241403321	Face	2:1	ER-32	1500 PSI	85	85	92	70	\$6,000.00

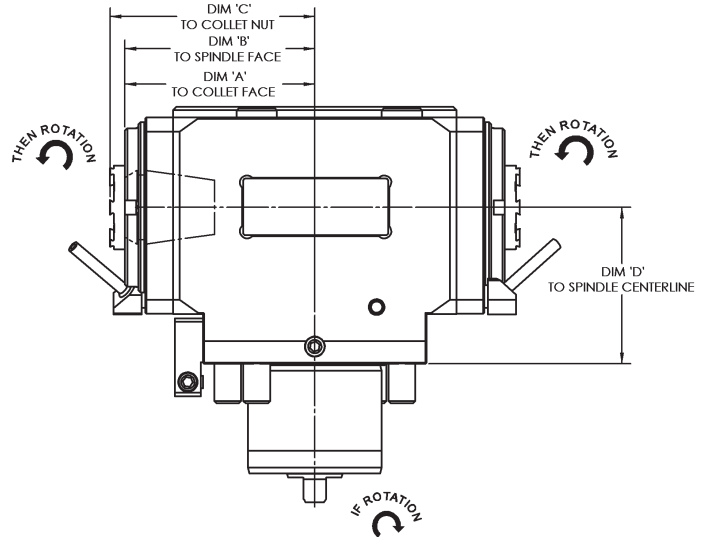
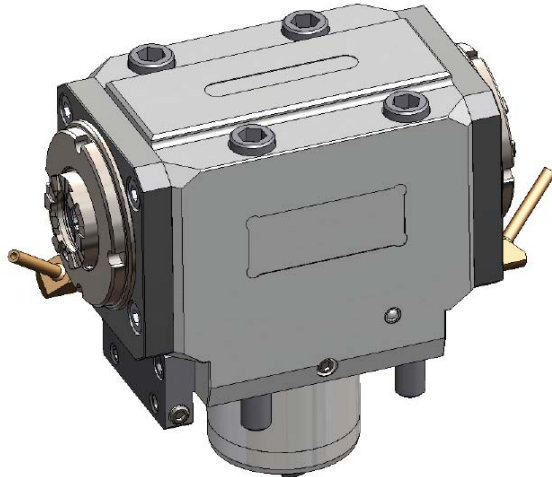
RIGHT-ANGLE (FACE) LB4000 EX

Item Number	Tool Axis	Ratio	Spindle	Internal Coolant	A (mm)	B (mm)	C (mm)	D (mm)	List Price
DT10211503211	Face	1:1	ER-40	----	95	95	98	85	\$3,500.00
DT10211503221	Face	1:1	ER-40	1500 PSI	95	95	104	85	\$4,500.00
DT10221503211	Face	1:2	ER-40	----	95	95	98	85	\$5,000.00
DT10221503221	Face	1:2	ER-40	1500 PSI	95	95	104	85	\$6,000.00
DT10241503211	Face	2:1	ER-40	----	95	95	98	85	\$5,000.00
DT10241503221	Face	2:1	ER-40	1500 PSI	95	95	104	85	\$6,000.00

SPACE TURN EX SERIES

LB2000 EX - LB2500 EX - LB3000 EX - LB4000 EX

LIVE TOOLS



RA DUAL-HEAD (FACE) LB2000 EX, LB2500EX & LB3000 EX

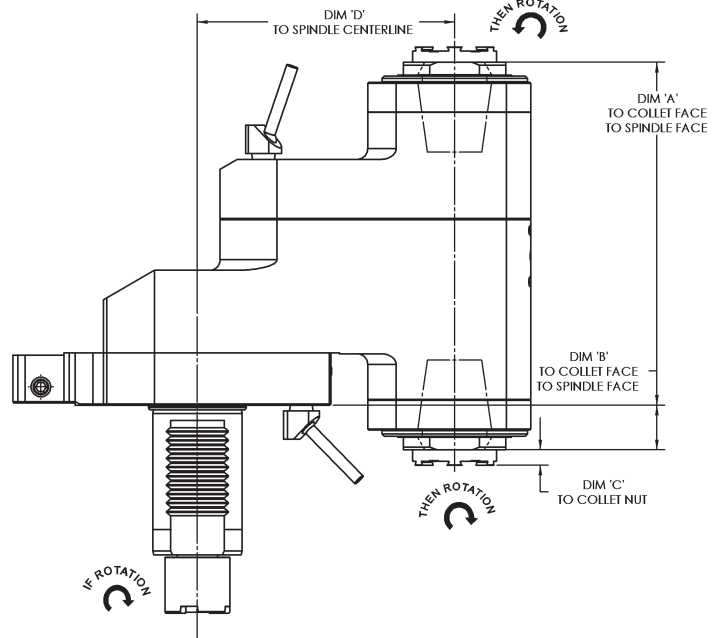
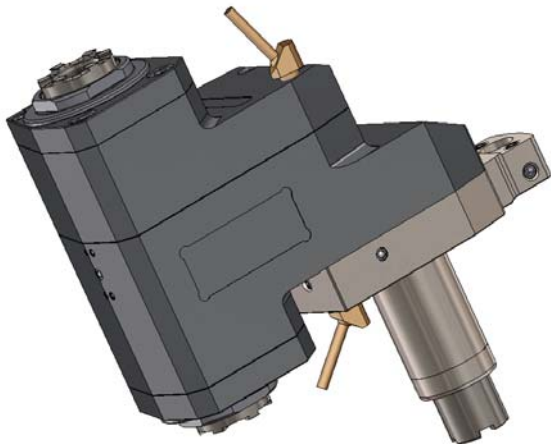
Item Number	Tool Axis	Ratio	Spindle	Internal Coolant	A (mm)	B (mm)	C (mm)	D (mm)	List Price
DT10511403311	Face-Both	1:1	ER-32	----	85	85	87	70	\$5,000.00
DT10511403321	Face-Both	1:1	ER-32	1500 PSI	85	85	92	70	\$6,500.00

RA DUAL-HEAD (FACE) LB4000 EX

Item Number	Tool Axis	Ratio	Spindle	Internal Coolant	A (mm)	B (mm)	C (mm)	D (mm)	List Price
DT10511503211	Face-Both	1:1	ER-40	----	95	95	98	85	\$5,000.00
DT10511503221	Face-Both	1:1	ER-40	1500 PSI	95	95	104	85	\$6,500.00

CAPTAIN SERIES

L370M - L370MW - L470M



LIVE TOOLS

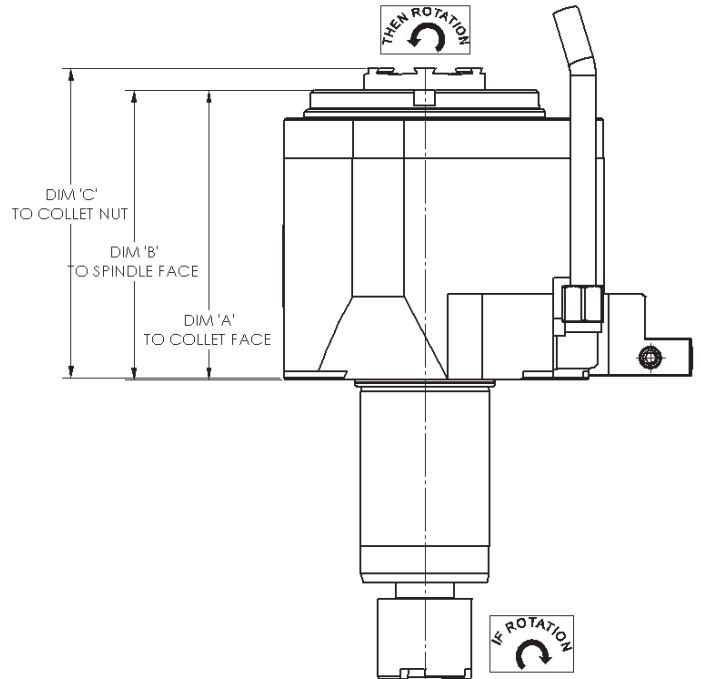
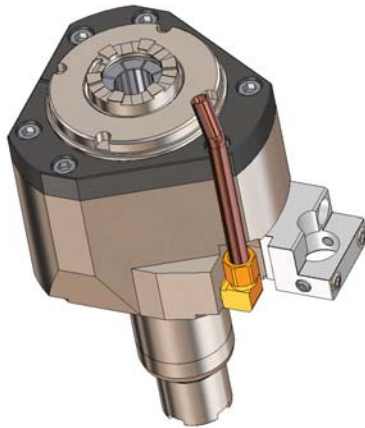
STRAIGHT-OFFSET (FACE) L370MW

Item Number	Tool Axis	Ratio	Spindle	Internal Coolant	A (mm)	B (mm)	C (mm)	D (mm)	List Price
DT10711402811	FACE-BOTH	1:1	ER-32	----	153	20	2	115	\$6,000.00
DT10711402821	FACE-BOTH	1:1	ER-32	1500 PSI	153	20	7	115	\$7,500.00

CAPTAIN SERIES

L370M - L370MW - L470M

LIVE TOOLS



STRAIGHT (FACE) L370M & L370MW

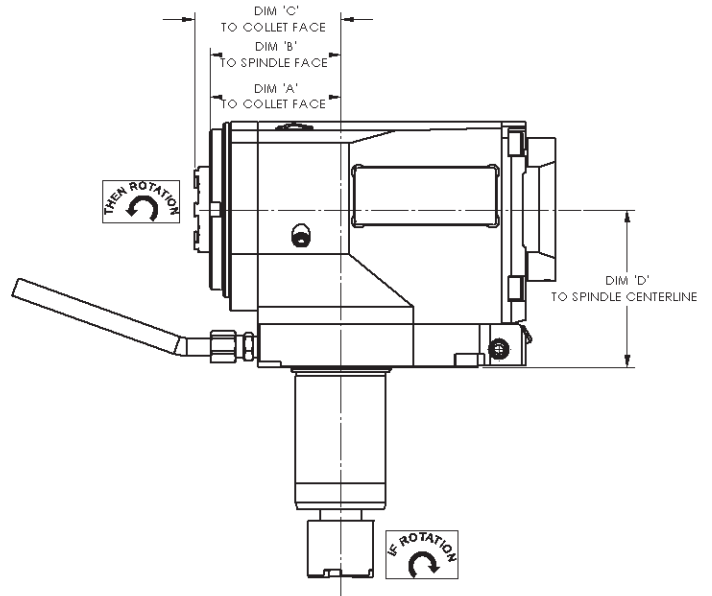
Item Number	Tool Axis	Ratio	Spindle	Internal Coolant	A (mm)	B (mm)	C (mm)	D (mm)	List Price
DT10611402811	FACE	1:1	ER-32	----	63	63	65	---	\$2,000.00
DT10611402821	FACE	1:1	ER-32	1500 PSI	90	90	97	---	\$3,500.00
DT10610602811	FACE	1:1	KM-40	----	56	68	---	---	\$4,000.00
DT10610602821	FACE	1:1	KM-40	1500 PSI	83	95	---	---	\$5,500.00

STRAIGHT (FACE) L470M

Item Number	Tool Axis	Ratio	Spindle	Internal Coolant	A (mm)	B (mm)	C (mm)	D (mm)	List Price
DT10611503011	FACE	1:1	ER-40	----	75	75	78	---	\$2,000.00
DT10611503021	FACE	1:1	ER-40	1500 PSI	100	100	109	---	\$3,500.00
DT10610603011	FACE	1:1	KM-40	----	56	68	---	---	\$4,000.00
DT10610603021	FACE	1:1	KM-40	1500 PSI	83	95	---	---	\$5,500.00

CAPTAIN SERIES

L370M - L370MW - L470M



LIVE TOOLS

RIGHT-ANGLE (SIDE) L370M & L370MW

Item Number	Tool Axis	Ratio	Spindle	Internal Coolant	A (mm)	B (mm)	C (mm)	D (mm)	List Price
DT10211402811	SIDE	1:1	ER-32	----	58	58	60	70	\$3,500.00
DT10211402821	SIDE	1:1	ER-32	1500 PSI	58	58	65	70	\$4,500.00
DT10221402811	SIDE	1:2	ER-32	----	58	58	60	70	\$5,000.00
DT10221402821	SIDE	1:2	ER-32	1500 PSI	58	58	65	70	\$6,000.00
DT10241402811	SIDE	2:1	ER-32	----	58	58	60	70	\$5,000.00
DT10241402821	SIDE	2:1	ER-32	1500 PSI	58	58	65	70	\$6,000.00
DT10210602811	SIDE	1:1	KM-40	----	37	49	---	70	\$5,500.00
DT10210602821	SIDE	1:1	KM-40	1500 PSI	37	49	---	70	\$6,500.00

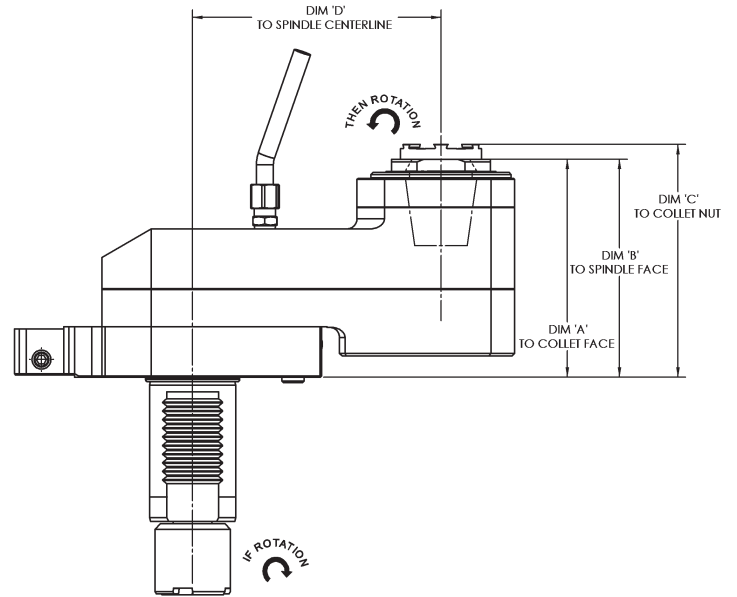
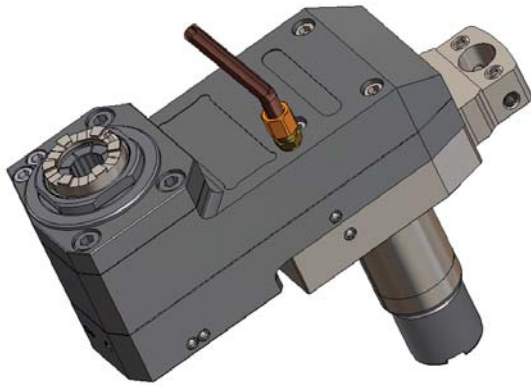
RIGHT-ANGLE (SIDE) L470M

Item Number	Tool Axis	Ratio	Spindle	Internal Coolant	A (mm)	B (mm)	C (mm)	D (mm)	List Price
DT10211503011	SIDE	1:1	ER-40	----	60	60	63	75	\$3,500.00
DT10211503021	SIDE	1:1	ER-40	1500 PSI	60	60	69	75	\$4,500.00
DT10221503011	SIDE	1:2	ER-40	----	60	60	63	75	\$5,000.00
DT10221503021	SIDE	1:2	ER-40	1500 PSI	60	60	69	75	\$6,000.00
DT10241503011	SIDE	2:1	ER-40	----	60	60	63	75	\$5,000.00
DT10241503021	SIDE	2:1	ER-40	1500 PSI	60	60	69	75	\$6,000.00
DT10210603011	SIDE	1:1	KM-40	----	37	49	---	75	\$5,500.00
DT10210603021	SIDE	1:1	KM-40	1500 PSI	37	49	---	75	\$6,500.00

CAPTAIN SERIES

L370M - L370MW - L470M

LIVE TOOLS



STRAIGHT-OFFSET (FACE) L370M & L370MW

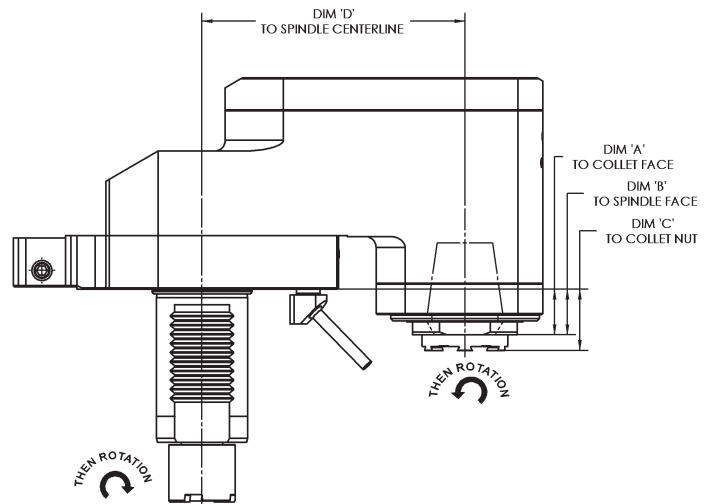
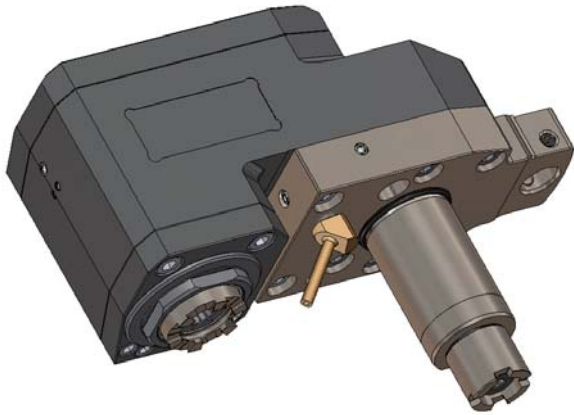
Item Number	Tool Axis	Ratio	Spindle	Internal Coolant	A (mm)	B (mm)	C (mm)	D (mm)	List Price
DT10111402811	FACE-FRONT	1:1	ER-32	----	100	100	102	115	\$4,500.00
DT10111402821	FACE-FRONT	1:1	ER-32	1500 PSI	100	100	107	115	\$5,500.00

STRAIGHT-OFFSET (FACE) L470M

Item Number	Tool Axis	Ratio	Spindle	Internal Coolant	A (mm)	B (mm)	C (mm)	D (mm)	List Price
DT10111403011	FACE-FRONT	1:1	ER-32	----	100	100	102	115	\$4,500.00
DT10111403021	FACE-FRONT	1:1	ER-32	1500 PSI	100	100	107	115	\$5,500.00

CAPTAIN SERIES

L370M - L370MW - L470M



LIVE TOOLS

STRAIGHT-OFFSET (FACE) L370MW

Item Number	Tool Axis	Ratio	Spindle	Internal Coolant	A (mm)	B (mm)	C (mm)	D (mm)	List Price
DT10811402811	FACE-BACK	1:1	ER-32	----	20	20	22	115	\$4,500.00
DT10811402821	FACE-BACK	1:1	ER-32	1500 PSI	20	20	27	115	\$5,500.00



OKUMA

SPACE TURN EX SERIES

LB2000 EX - LB2500 EX - LB3000 EX - LB4000 EX

CAPTAIN SERIES

L370M - L370MW - L470M

Why do over 94% of our test programs result in customer purchases....?



Designed, manufactured and supported in the USA for an Okuma customer by an Okuma customer.



Your only supplier with over 60 years of gear and bearing expertise combined with over 30 years of hydraulic expertise.



All tools are designed to each specific machine as to not limit your equipment's capabilities.



Quality high precision spindle bearings (ABEC 7 / P4 minimum) are used for performance, rigidity and durability for smooth operation and long life giving the assurance of solid performance.



Maximum use of each machine's turret cone for larger diameter duplex bearings set around the clamping system without interference to neighboring tools.



Highest quality seals and o-rings for protection against external contamination. Long-life premium grease for optimum lubrication environment.



Recessed spindle configurations reduces the length of moment arm for longer bearing life while maximizing tool lengths.



Bodies are made of high quality steels with a one piece base for maximum rigidity and wear resistance. Black oxide coated and/or melonited for a professional finish.



Internal and External combination coolant options. High pressure internal coolant options up to 1,500 PSI.



Hardened and honed right-angle spiral bevel and spur cut gears provide for long life, high strength and quiet operation.



Industry proven ER Tooling System for reliable and controlled machining. Wrenches Included!



All tools are packaged with specification sheets, operating instructions and audit-test reports.



Kennametal® Modular Quick-Change Tooling System for reliable and efficient tool changes.



48 Hour Service on repairs! We have even done them in less than one hour. We understand your urgency as we are a customer too!

