



MORI SEIKI

DURATURN 2050 - 2550 SERIES

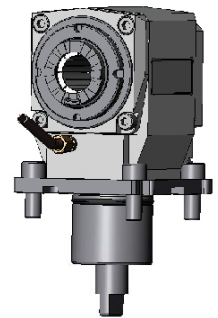
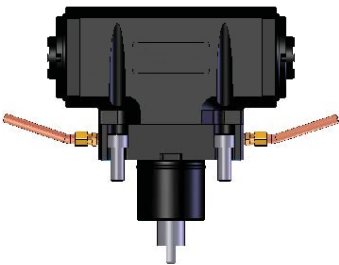
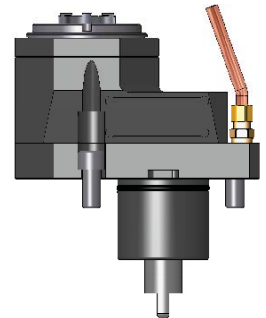
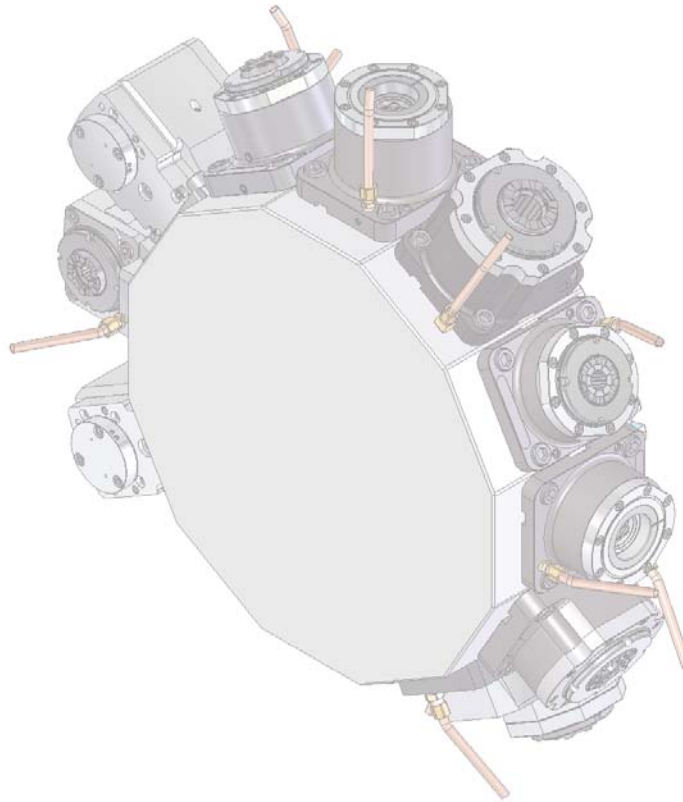
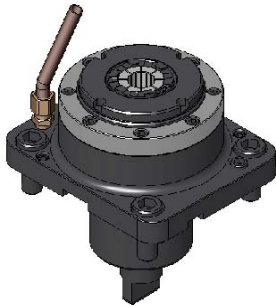
NL1500 - 3000 SERIES

NT3100 - 5400 SERIES

NZ1500 - 2000 SERIES



ROTARY TOOLS

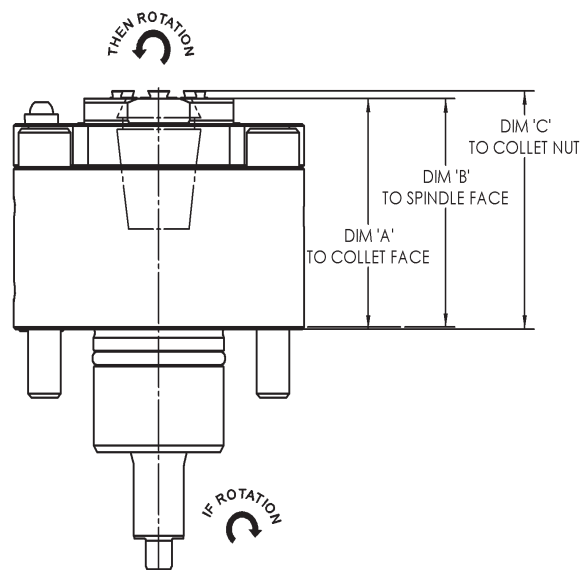


MORI SEIKI



DURATURN 2050 - 2550 (12-STATION TURRET)
NL1500 - 2000 (20-STATION TURRET)
NT3100 - 3200 SERIES (12-STATION TURRET)
NZ1500 - 2000 (16-STATION TURRET)

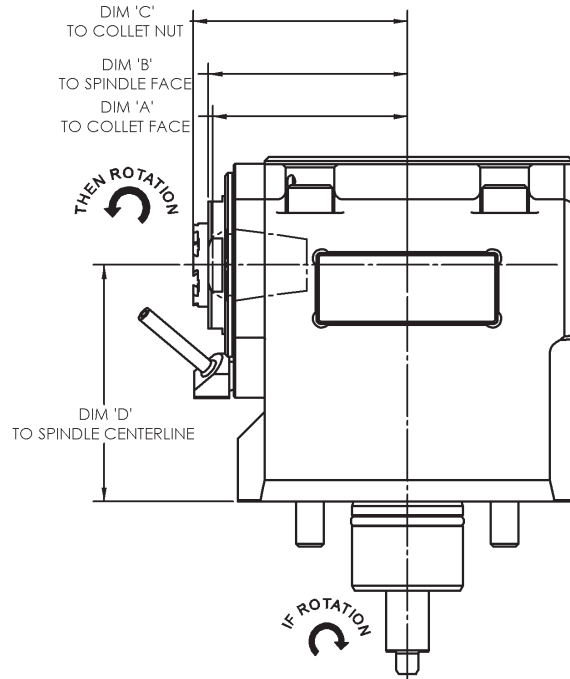
ROTARY TOOLS



STRAIGHT (OD)

Item Number	Tool Axis	Ratio	Spindle	Internal Coolant	A (mm)	B (mm)	C (mm)	D (mm)	List Price
DT10611203811	OD	1:1	ER-20	----	60	60	62	---	\$2,000.00
DT10611203823	OD	1:1	ER-20	500 PSI	70	70	77	---	\$3,000.00
DT10611303811	OD	1:1	ER-25	----	60	60	62	---	\$2,000.00
DT10611303823	OD	1:1	ER-25	500 PSI	70	70	77	---	\$3,000.00
DT10611403811	OD	1:1	ER-32	----	60	60	62	---	\$2,000.00
DT10611403823	OD	1:1	ER-32	500 PSI	78	78	85	---	\$3,000.00

DURATURN 2050 - 2550 (12-STATION TURRET)
NL1500 - 2000 (20-STATION TURRET)
NT3100 - 3200 SERIES (12-STATION TURRET)
NZ1500 - 2000 (16-STATION TURRET)



ROTARY TOOLS

RIGHT-ANGLE (FACE)

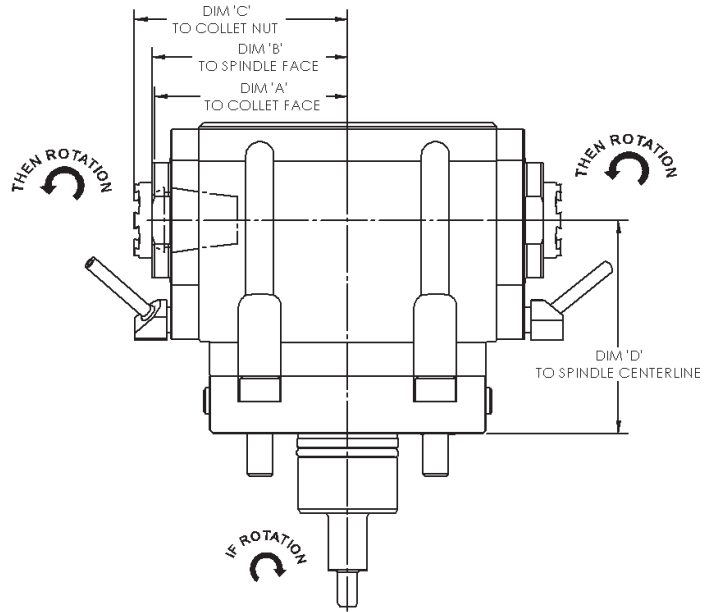
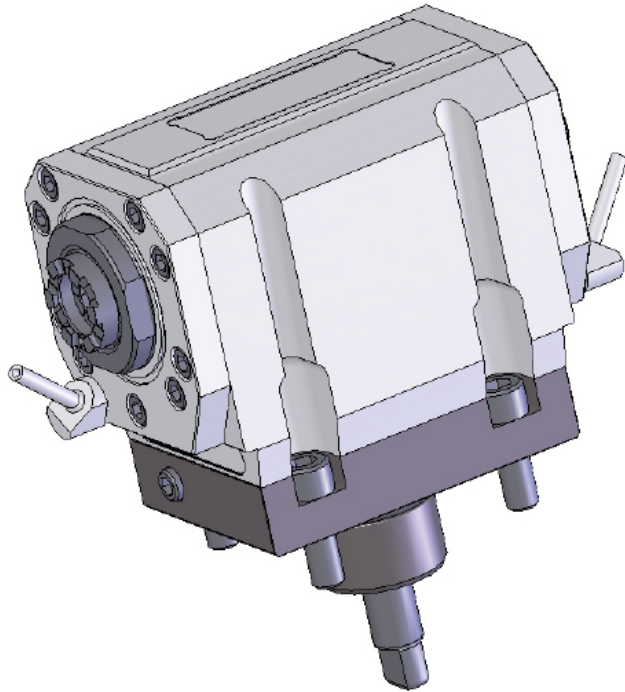
Item Number	Tool Axis	Ratio	Spindle	Internal Coolant	A (mm)	B (mm)	C (mm)	D (mm)	List Price
DT10211203811	Face	1:1	ER-20	----	70	70	72	85	\$3,500.00
DT10211203821	Face	1:1	ER-20	1500 PSI	70	70	78	85	\$4,500.00
DT10211303811	Face	1:1	ER-25	----	70	70	72	85	\$3,500.00
DT10211303821	Face	1:1	ER-25	1500 PSI	70	70	78	85	\$4,500.00
DT10211403811	Face	1:1	ER-32	----	80	80	82	85	\$3,500.00
DT10211403821	Face	1:1	ER-32	1500 PSI	80	80	87	85	\$4,500.00
DT10221203811	Face	1:2	ER-20	----	70	70	72	85	\$5,000.00
DT10221203821	Face	1:2	ER-20	1500 PSI	70	70	78	85	\$6,000.00
DT10221303811	Face	1:2	ER-25	----	70	70	72	85	\$5,000.00
DT10221303821	Face	1:2	ER-25	1500 PSI	70	70	78	85	\$6,000.00
DT10241303811	Face	2:1	ER-25	----	70	70	72	85	\$5,000.00
DT10241303821	Face	2:1	ER-25	1500 PSI	70	70	78	85	\$6,000.00
DT10241403811	Face	2:1	ER-32	----	80	80	82	85	\$5,000.00
DT10241403821	Face	2:1	ER-32	1500 PSI	80	80	87	85	\$6,000.00

MORI SEIKI

VON RUDEN

DURATURN 2050 - 2550 (12-STATION TURRET)
 NL1500 - 2000 (20-STATION TURRET)
 NT3100 - 3200 SERIES (12-STATION TURRET)
 NZ1500 - 2000 (16-STATION TURRET)

ROTARY TOOLS



RIGHT-ANGLE DUAL-HEAD (FACE)

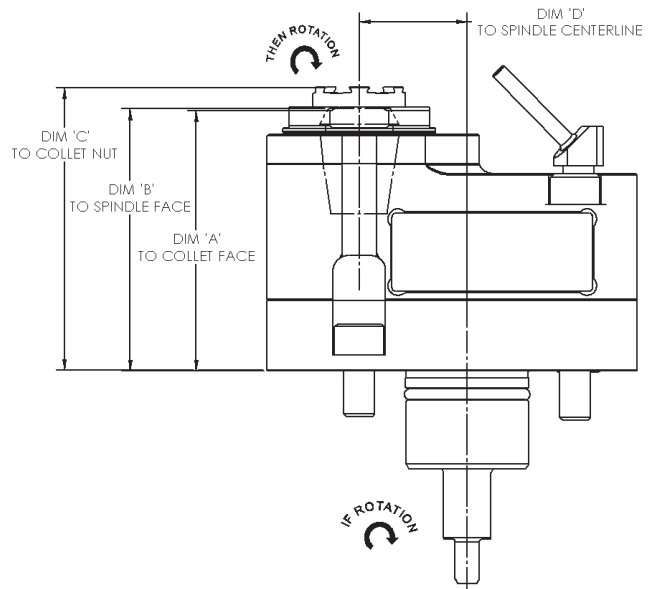
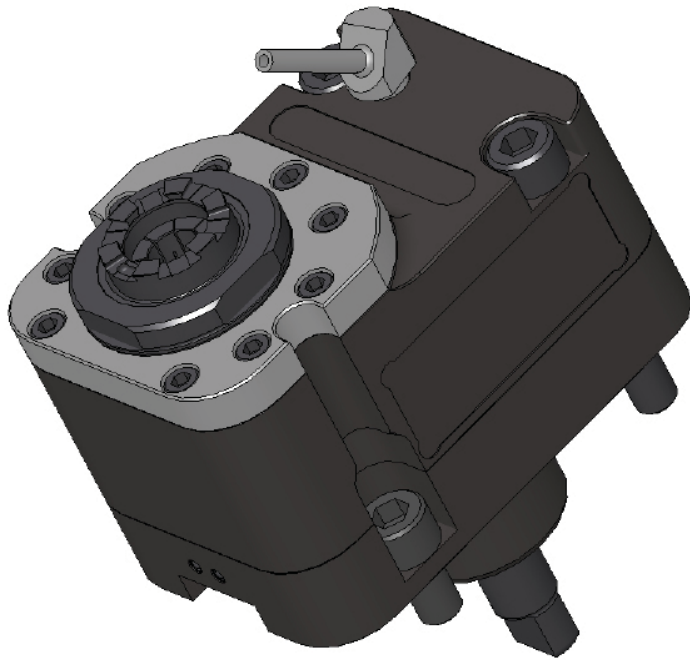
Item Number	Tool Axis	Ratio	Spindle	Internal Coolant	A (mm)	B (mm)	C (mm)	D (mm)	List Price
DT10511203811	Face-Both	1:1	ER-20	----	70	70	72	85	\$5,000.00
DT10511203821	Face-Both	1:1	ER-20	1500 PSI	78	78	85	85	\$6,500.00
DT10511303811	Face-Both	1:1	ER-25	----	70	70	72	85	\$5,000.00
DT10511303821	Face-Both	1:1	ER-25	1500 PSI	78	78	85	85	\$6,500.00

DURATURN 2050 - 2550 (12-STATION TURRET)

NL1500 - 2000 (20-STATION TURRET)

NT3100 - 3200 SERIES (12-STATION TURRET)

NZ1500 - 2000 (16-STATION TURRET)



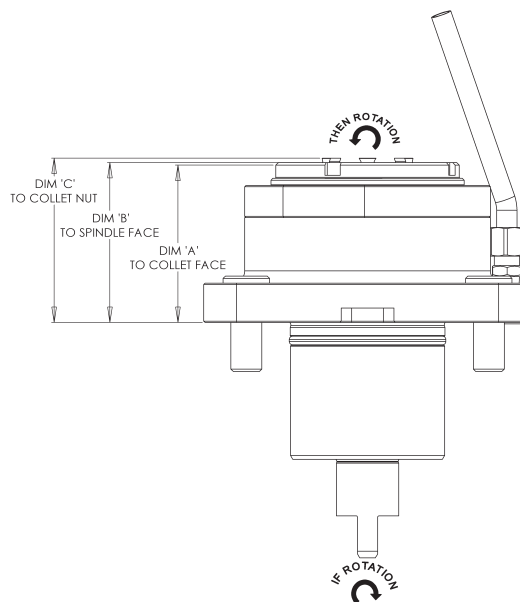
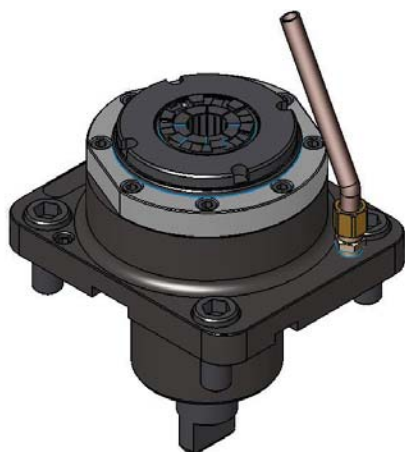
ROTARY TOOLS

STRAIGHT-OFFSET (OD)

Item Number	Tool Axis	Ratio	Spindle	Internal Coolant	A (mm)	B (mm)	C (mm)	D (mm)	List Price
DT10111203811	OD-Offset	1:1	ER-20	----	85	85	87	35	\$4,500.00
DT10111203821	OD-Offset	1:1	ER-20	1500 PSI	85	85	92	35	\$5,500.00
DT10111303811	OD-Offset	1:1	ER-25	----	85	85	87	35	\$4,500.00
DT10111303821	OD-Offset	1:1	ER-25	1500 PSI	85	85	92	35	\$5,500.00
DT10121203811	OD-Offset	1:2	ER-20	----	85	85	87	35	\$6,000.00
DT10121203821	OD-Offset	1:2	ER-20	1500 PSI	85	85	92	35	\$7,000.00
DT10141303811	OD-Offset	2:1	ER-25	----	85	85	87	35	\$6,000.00
DT10141303821	OD-Offset	2:1	ER-25	1500 PSI	85	85	92	35	\$7,000.00

NL1500 - 3000 (10 & 12-STATION TURRETS) NT4200 - 5400 SERIES (10 & 12-STATION TURRETS)

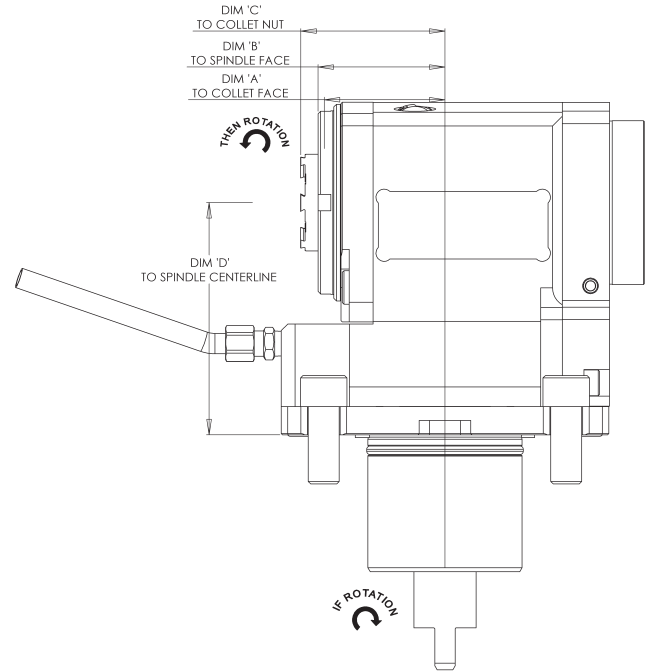
ROTARY TOOLS



STRAIGHT (OD)

Item Number	Tool Axis	Ratio	Spindle	Internal Coolant	A (mm)	B (mm)	C (mm)	D (mm)	List Price
DT10611402711	OD	1:1	ER-32	----	62	62	64	---	\$2,000.00
DT10611402721	OD	1:1	ER-32	1500 PSI	85	85	92	---	\$3,500.00
DT10611502711	OD	1:1	ER-40	----	78	78	80	---	\$2,000.00
DT10611502721	OD	1:1	ER-40	1500 PSI	98	98	106	---	\$3,500.00
DT10610602711	OD	1:1	KM-40	----	57	65	---	---	\$4,000.00
DT10610602721	OD	1:1	KM-40	1500 PSI	83	92	---	---	\$5,500.00
DT10610502711	OD	1:1	KM-50	----	70	86	---	---	\$5,000.00
DT10610502721	OD	1:1	KM-50	1500 PSI	95	111	---	---	\$6,500.00

NL1500 - 3000 (10 & 12-STATION TURRETS) NT4200 - 5400 SERIES (10 & 12-STATION TURRETS)

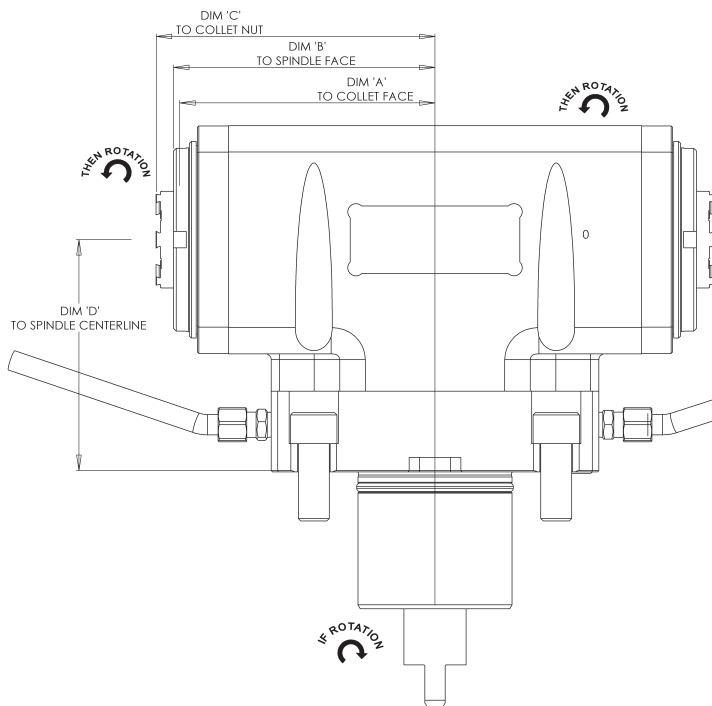
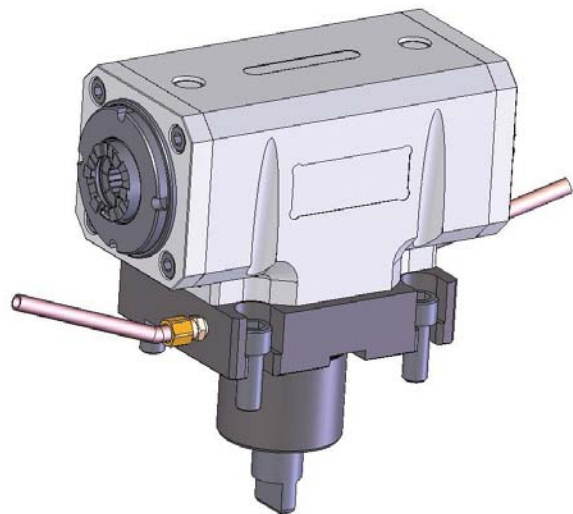


ROTARY TOOLS

RIGHT-ANGLE (FACE)

Item Number	Tool Axis	Ratio	Spindle	Internal Coolant	A (mm)	B (mm)	C (mm)	D (mm)	List Price
DT10211402711	Face	1:1	ER-32	----	50	50	51	90	\$3,500.00
DT10211402721	Face	1:1	ER-32	1500 PSI	50	50	56	90	\$4,500.00
DT10211502711	Face	1:1	ER-40	----	60	60	62	90	\$3,500.00
DT10211502721	Face	1:1	ER-40	1500 PSI	60	60	68	90	\$4,500.00
DT10210602711	Face	1:1	KM-40	----	28	40	---	90	\$5,500.00
DT10210602721	Face	1:1	KM-40	1500 PSI	28	40	---	90	\$6,500.00
DT10221402711	Face	1:2	ER-32	----	50	50	51	90	\$5,000.00
DT10221402721	Face	1:2	ER-32	1500 PSI	50	50	56	90	\$6,000.00
DT10221502711	Face	1:2	ER-40	----	60	60	62	90	\$5,000.00
DT10221502721	Face	1:2	ER-40	1500 PSI	60	60	68	90	\$6,000.00
DT10220602711	Face	1:2	KM-40	----	28	40	---	90	\$7,000.00
DT10220602721	Face	1:2	KM-40	1500 PSI	28	40	---	90	\$8,000.00
DT10241402711	Face	2:1	ER-32	----	50	50	51	90	\$5,000.00
DT10241402721	Face	2:1	ER-32	1500 PSI	50	50	56	90	\$6,000.00
DT10241502711	Face	2:1	ER-40	----	60	60	62	90	\$5,000.00
DT10241502721	Face	2:1	ER-40	1500 PSI	60	60	68	90	\$6,000.00
DT10240602711	Face	2:1	KM-40	----	28	40	---	90	\$7,000.00
DT10240602721	Face	2:1	KM-40	1500 PSI	28	40	---	90	\$8,000.00

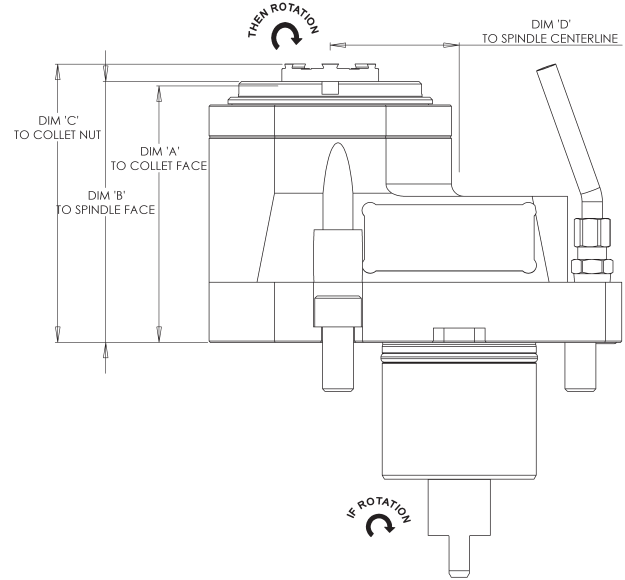
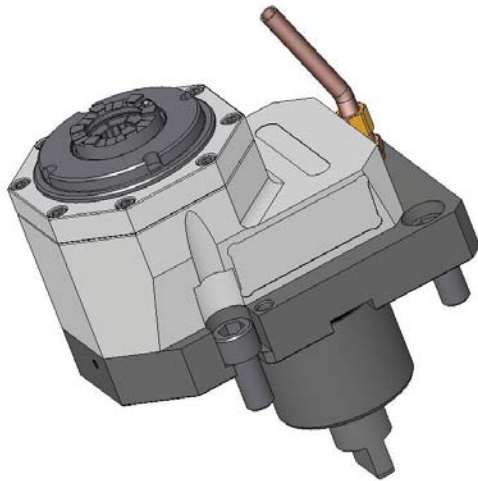
NL1500 - 3000 (10 & 12-STATION TURRETS) NT4200 - 5400 SERIES (10 & 12-STATION TURRETS)



RIGHT-ANGLE DUAL-HEAD (FACE)

Item Number	Tool Axis	Ratio	Spindle	Internal Coolant	A (mm)	B (mm)	C (mm)	D (mm)	List Price
DT10511402711	Face-Both	1:1	ER-32	----	101	101	103	90	\$5,000.00
DT10511402721	Face-Both	1:1	ER-32	1500 PSI	101	101	108	90	\$6,500.00
DT10511502711	Face-Both	1:1	ER-40	----	60	60	62	90	\$5,000.00
DT10511502721	Face-Both	1:1	ER-40	1500 PSI	60	60	68	90	\$6,500.00
DT10510602711	Face-Both	1:1	KM-40	----	80	92	---	90	\$8,000.00
DT10510602721	Face-Both	1:1	KM-40	1500 PSI	80	92	---	90	\$9,500.00
DT10521402711	Face-Both	1:2	ER-32	----	101	101	103	90	\$6,500.00
DT10521402721	Face-Both	1:2	ER-32	1500 PSI	101	101	108	90	\$8,000.00
DT10520602711	Face-Both	1:2	KM-40	----	80	92	---	90	\$9,500.00
DT10520602721	Face-Both	1:2	KM-40	1500 PSI	80	92	---	90	\$11,000.00

NL1500 - 3000 (10 & 12-STATION TURRETS) NT4200 - 5400 SERIES (10 & 12-STATION TURRETS)



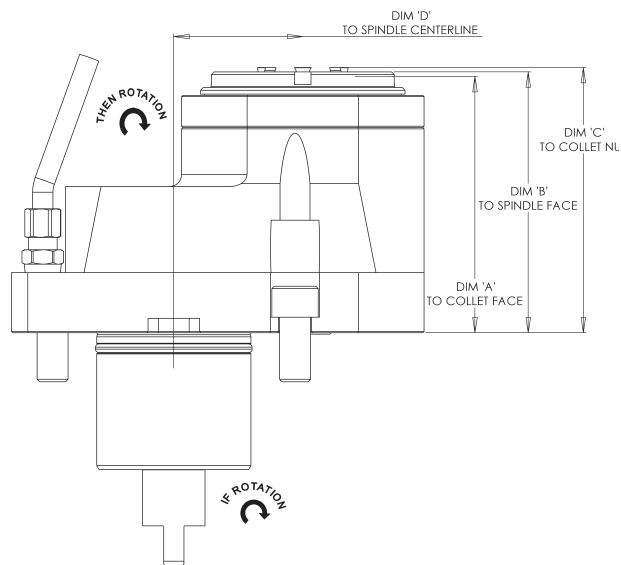
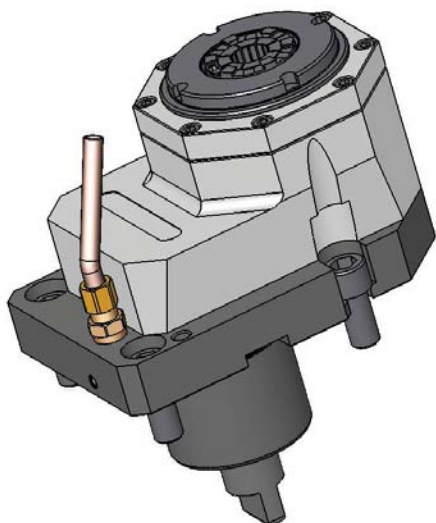
ROTARY TOOLS

STRAIGHT-OFFSET (OD)

Item Number	Tool Axis	Ratio	Spindle	Internal Coolant	A (mm)	B (mm)	C (mm)	D (mm)	List Price
DT10111402711	OD-Offset	1:1	ER-32	----	101	101	103	50	\$4,500.00
DT10111402721	OD-Offset	1:1	ER-32	1500 PSI	101	101	108	50	\$5,500.00
DT10111502711	OD-Offset	1:1	ER-40	----	101	101	103	50	\$4,500.00
DT10111502721	OD-Offset	1:1	ER-40	1500 PSI	101	101	109	50	\$5,500.00
DT10110602711	OD-Offset	1:1	KM-40	----	89	101	---	50	\$6,500.00
DT10110602721	OD-Offset	1:1	KM-40	1500 PSI	89	101	---	50	\$7,500.00
DT10121402711	OD-Offset	1:2	ER-32	----	101	101	103	50	\$6,000.00
DT10121402721	OD-Offset	1:2	ER-32	1500 PSI	101	101	108	50	\$7,000.00
DT10141402711	OD-Offset	2:1	ER-32	----	101	101	103	42	\$6,000.00
DT10141402721	OD-Offset	2:1	ER-32	1500 PSI	101	101	108	42	\$7,000.00
DT10141502711	OD-Offset	2:1	ER-40	----	101	101	103	42	\$6,000.00
DT10141502721	OD-Offset	2:1	ER-40	1500 PSI	11	101	109	42	\$7,000.00

NL1500 - 3000 (10 & 12-STATION TURRETS) NT4200 - 5400 SERIES (10 & 12-STATION TURRETS)

ROTARY TOOLS



STRAIGHT-OFFSET REVERSE (OD)

Item Number	Tool Axis	Ratio	Spindle	Internal Coolant	A (mm)	B (mm)	C (mm)	D (mm)	List Price
DT10311402711	OD-Offset Back	1:1	ER-32	----	101	101	103	50	\$4,500.00
DT10310602711	OD-Offset Back	1:1	KM-40	----	89	101	---	50	\$6,500.00

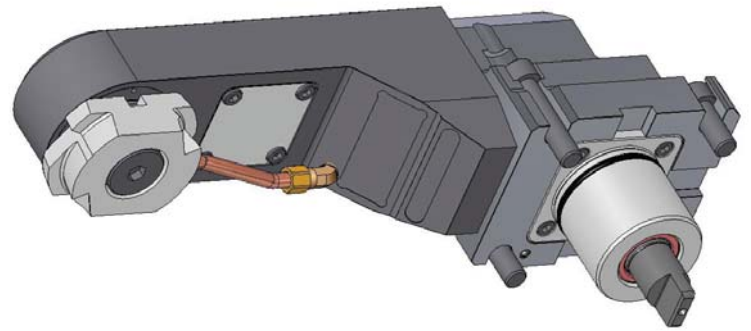
MORI SEIKI

DURATURN 2050 - 2550 SERIES

NL1500 - 3000 SERIES

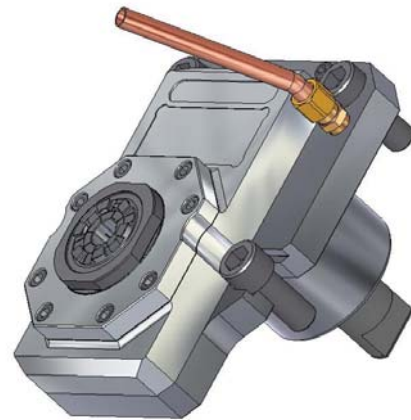
NT3100 - 5400 SERIES

NZ1500 - 2000 SERIES



ROTARY TOOLS

SPECIALS





MORI SEIKI

DURATURN 2050 - 2550 SERIES

NL1500 - 3000 SERIES

NT3100 - 5400 SERIES

NZ1500 - 2000 SERIES



Why do over 94% of our test programs result in customer purchases....?



Designed, manufactured and supported in the USA for a Mori Seiki customer by a Mori Seiki customer.



Your only supplier with over 60 years of gear and bearing expertise combined with over 30 years of hydraulic expertise.



All tools are designed to each specific machine as to not limit your equipment's capabilities.



Quality high precision spindle bearings (ABEC 7 / P4 minimum) are used for performance, rigidity and durability for smooth operation and long life giving the assurance of solid performance.



Maximum use of each machine's turret cone for larger diameter duplex bearings set around the clamping system without interference to neighboring tools.



Highest quality seals and o-rings for protection against external contamination. Long-life premium grease for optimum lubrication environment.



Recessed spindle configurations reduces the length of moment arm for longer bearing life while maximizing tool lengths.



Bodies are made of high quality steels with a one piece base for maximum rigidity and wear resistance. Black oxide coated and/or melonited for a professional finish.



Internal and External combination coolant options. High pressure internal coolant options up to 500PSI and 1,500 PSI.



Hardened and honed right-angle spiral bevel and spur cut gears provide for long life, high strength and quiet operation.



Industry proven ER Tooling System for reliable and controlled machining. Wrenches Included!



All tools are packaged with specification sheets, operating instructions and audit-test reports.



Kennametal® Modular Quick-Change Tooling System for reliable and efficient tool changes.



48 Hour Service on repairs! We have even done them in less than one hour. We understand your urgency as we are a customer too!

